

IS 1515

INCREASED SAFETY RIG LIGHT



Mechanical Data

Material	: Reinforced Neoprene moulded rubber
Weight	: 6.0 Kg
IP Protection	: IP 66 as per IS 13947 / 1993 / IEC 60529 / 1989
Finish	: Natural Black
Cable Entry	: To suit 3 x 2.5 sq.mm cable
Glass	: Toughened Borosilicate
Wireguard	: 5 mm Welded Steel Construction
Reflector	: Anodised Aluminium
Suspension	: Integral Eye hook
Hinge	: Not Applicable
Gasket	: Neoprene
Hardware	: Stainless Steel

Electrical Data

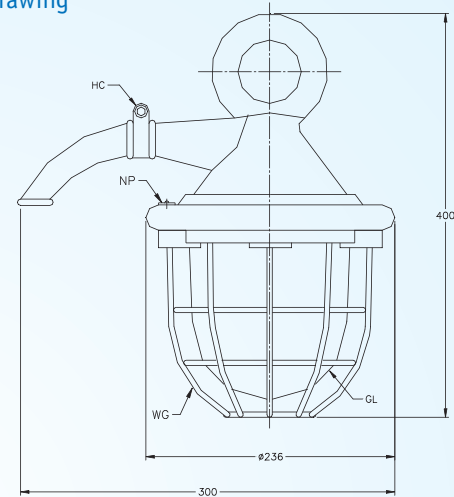
Voltage	V : 230 V AC , 50 Hz
Lamp Wattage	W : 80 W / 125 W HPMV / 150 W GLS / 160 W MLL / 200 W GLS
Lamp Holder	: ES Cap - E 27 break ES cap - E27
Wiring	: Not Applicable
Max. Cable size	: 3 x 2.5 TRS sq.mm / 3 x 1.5 Neoprene PVC braided copper DMC
Int. Terminations	: Anti loosening terminals on the holder
Insulators	: Glass fibre reinforced DMC

Description

Increased safety restricted breathing rig light of reinforced neoprene rubber construction. The toughened glass is clamped to the main neoprene body by a retaining ring. A specially designed non sparking lamp holder with a vibration proof lamp locking device is provided.

The light can be supplied with a 3m, 5m, or 10m length of cable duly wired.

GA Drawing



NOTE:

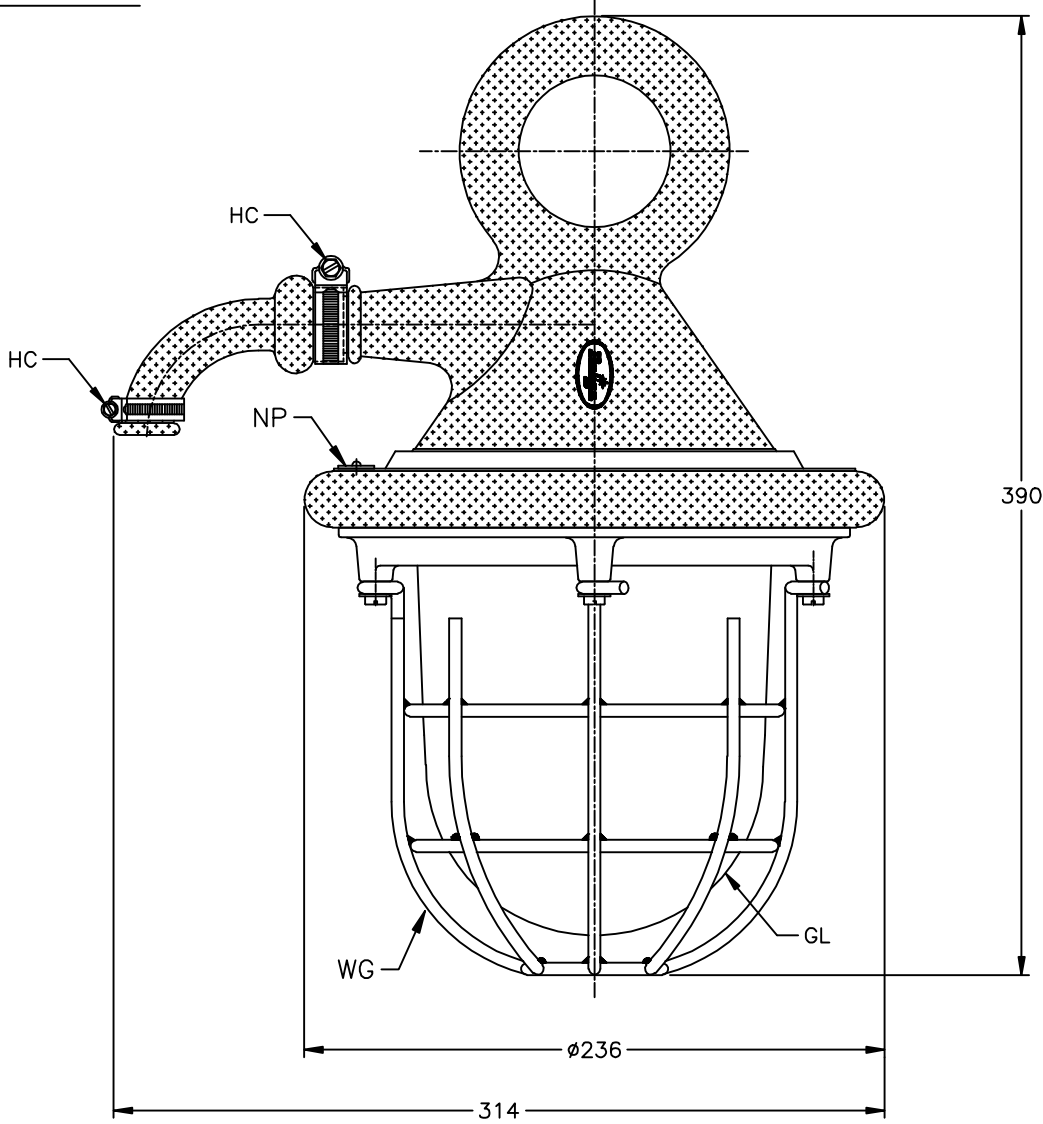
- | | |
|--|-----------------------------------|
| 1. NP : NAME AND WARNING PLATE (SS) | 4. WG : WIRE GUARD (M.S) |
| 2. LAMP HOLDER : ENCLOSED BREAK-ES CAP | 5. SUSPENSION : INTEGRAL EYE HOOK |
| 3. GL : WELL GLASS | 6. HC : HOSE CLIP (M.S) |
| | 7. HARDWARES : SS-304 |

All dimensions are in mm

Type of protection	Increased Safety Exe				
Area Classification	Zone 2				
Apparatus Standard	IS - 6381 & IS- 8224				
CMRI Certificate No.	V / 1 / 5 / 224				
Approvals	CCE				
Temp Rating	T6	T6	T6	T4	T4
Wattage Rating	80 HPMV	125 HPMV	150 GLS	160 MLL	200 GLS

IF IN DOUBT ASK

DO NOT SCALE



NOTES:

- LAMP HOLDER : ENCLOSED BREAK-ES CAP (TO SUIT 160W MLL)
- LAMP TO SUIT : 160W MLL
- GL : TOUGHENED WELL GLASS
- WG : WIRE GUARD (M.S, EPOXY POWDER COATED - WHITE COLOUR)
- SUSPENSION : INTEGRAL EYE HOOK
- HC : HOSE CLIP (M.S)
- NP : NAME & WARNING PLATE (SS)
- HARDWARES : SS-304

---LAMP DETAILS---

LAMP	TYPE	VOLTS	TEMP
200W	GLS	250V	T6
80W	MV	250V	T6
125W	MV	250V	T6
160W	MLL	250V	T6

ALL DIMENSIONS ARE IN MM.

	CUSTOMER :	-	TITLE : INCREASED SAFETY RESTRICTED BREATHING TYPE WELL GLASS RIG LIGHT FITTING			
	CONSULTANT :	-	CAT No. : IS-1515			
	PROJECT:	-	CLASSIFICATION: Exe IP65 ZONE 2			
	P.O No.:	-	WT: 6Kgs (APPROX.)	MATL:AL, LM-6	ITEM No.:	QTY.:
	FINISH :	NATURAL BLACK		TOLERANCE : ±5mm	FOR INFORMATION ONLY	
CMRI : V/1/5/224 DT:17.05.1988	IS:13346/04 (IEC:60079-0/00)	SCALE N.T.S				
	IS:6381/04 (IEC:60079-7/01)	NAME	DATE			
	IS:12063/87 (IEC:60529/89)	REV-1				
		REV-2			SHEET 1 OF 1	
		DRN.	S.S	29.10.08	DRG. NO.	REV
		CHKD.			QEIS151501	0
		APPD.				



Baliga Lighting Equipments Private Limited,
KOVILAMBAKKAM, CHENNAI-600 117, INDIA.